

# VISUAL PERFORMANCE® SERIES

VP62, VP66, VP68



## Product Family Overview

From the company that invented the category, comes the **BEST SOUNDING**, best looking and most complete range of in-wall and in-ceiling speakers ever. Visual Performance® Series

comes in various shapes and sizes to compliment down lights and décor and a complete range that allows you to enjoy a consistent aesthetic for any application in any room.



VP62



VP66



VP68

## Features and Benefits

### Absolute best sonic performance at all price points

- Designed using state-of-the-art computer modeling software to vastly improve magnetic field and suspension linearity for consistent sonic performance at any SPL for best-in-class performance

### Latest high-tech driver and tweeter material technology

- Improved low frequency performance
- Improved driver cone materials
- Low diffraction woofer and tweeter design
- Pivoting tweeter for improved frequency response in off-axis installations
- Chambered tweeter design on all models

### The chambered tweeter design does the following

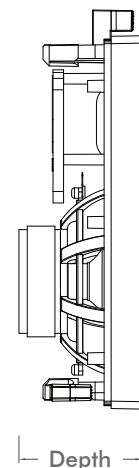
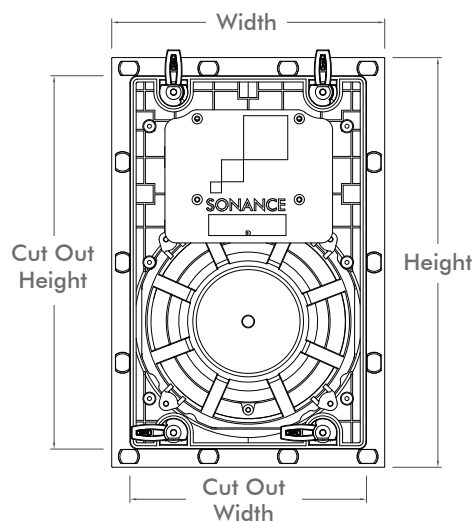
- Lowers the resonance frequency of the tweeter
- Allows for a lower crossover frequency to the woofer
- Reduces the back pressure on the tweeter dome
- Reduces the distortion of the tweeter near the crossover frequency

### Easier to install

- Easier to access Roto-Lock® screws
- Removed metal hang tabs
- One-piece paintable grille with peel and stick scrim cloth for easier painting
- Two piece toggle feet allows installation with double dry wall and thicker ceiling and wall materials

## Specifications

Width:	8 3/8" (213mm)
Height:	12 1/4" (311mm)
Depth:	3 1/2" (89mm)
Cut Out Width:	6 15/16" (176mm)
Cut Out Height:	10 3/4" (273mm)





## SPECIFICATIONS

VP62

VP66

VP68

SKU	93003	93004	93005
UOM	Pair	Pair	Pair
Tweeter	1" (25mm) cloth dome, Ferrofluid-cooled, pivoting, in acoustic back chamber	1" (25mm) powder coated aluminum dome, Ferrofluid-cooled, pivoting, in acoustic back chamber	1" (25mm) ceramic dome, Ferrofluid-cooled, pivoting, in acoustic back chamber
Woofer	6 1/2" (165mm) textured polypropylene cone with a rubber surround	6 1/2" (165mm) Kevlar / Nomex laminated cone with a rubber surround	6 1/2" (165mm) carbon fiber / Rohacell® laminated cone with a rubber surround
Frequency Response	45Hz – 20kHz ± 3dB	43Hz - 20kHz ± 3dB	40Hz - 20kHz ± 3dB
Impedance	8 ohms nominal; 6 ohms minimum	8 ohms nominal; 6 ohms minimum	6 ohms nominal; 4 ohms minimum
Power Handling	5 watts minimum; 125 watts maximum	5 watts minimum; 140 watts maximum	5 watts minimum; 150 watts maximum
Sensitivity	89dB SPL (2.83V/1 meter)	90dB SPL (2.83V/1 meter)	90dB SPL (2.83V/1 meter)
Grille	Perforated steel	Perforated steel	Perforated steel
Adjustments	-	-	Tweeter Level Switch -3dB Flat +3dB
Dimensions (W x H x D)	8 3/8" x 12 1/4" x 3 1/2" (213mm x 311mm x 89mm)	8 3/8" x 12 1/4" x 3 1/2" (213mm x 311mm x 89mm)	8 3/8" x 12 1/4" x 3 1/2" (213mm x 311mm x 89mm)
Cut-Out Dimensions (W x H)	6 15/16" x 10 3/4" (176mm x 273mm)	6 15/16" x 10 3/4" (176mm x 273mm)	6 15/16" x 10 3/4" (176mm x 273mm)
Shipping Weight	9 lbs (4.1kg) pair	10 lbs (4.5kg) pair	12 lbs (5.45kg) pair

## Associated Products

Medium Rectangle Retrofit Enclosure  
(Pair Per Box)

92342



Fire-Rated Listed Shallow Backcan  
(Each)

92807



Medium Rectangle Flex Bracket  
(5 Pair Per Box)

92336



Medium Rectangle Coverplate  
(Pair Per Box)

92334



Medium Rectangle Masonry Bracket  
(Pair Per Box)

92066



Medium Rectangle Acoustic Enclosure  
(Each)

91687



## LIMITED LIFETIME WARRANTY

Sonance warrants to the first end-user purchaser that this Sonance-brand product ("Product"), when purchased from an authorized Sonance Dealer/Distributor, will be free from defective workmanship and materials for the life of the Product, except for the grille, which is warranted for five (5) years. Sonance will at its option and expense either repair the defect or replace the Product with a new or remanufactured Product or a reasonable equivalent. **Please visit our website and owner's e-Manual for complete warranty and exclusion information.**



©2015 Sonance. All rights reserved.

Sonance, Visual Performance and Roto-Lock, are registered trademarks of Dana Innovations.

Due to continuous product improvement, all features and specifications are subject to change without notice. For the latest Sonance product specification information visit our website: [www.sonance.com](http://www.sonance.com)

SONANCE • 212 Avenida Fabricante • San Clemente, CA 92672-7531 USA  
(949) 492-7777 • FAX: (949) 361-5151 • Technical Support: (949) 492-7777  
[www.sonance.com](http://www.sonance.com)